

Performance Improvement of Micro Strip Patch Antenna Incorporation of Meta Material Structure

Akanksha Princy

M.Tech Student
National Institute of Engg. & Technology (NIET)
NIMS University Jaipur, Rajasthan
gulshan087@gmail.com

Gulshan Sharma

PhD Scholar Amity University
Madhaya Pradesh
Gwalior, M.P

Anand Kumar Agarwal

Asst. Prof. National Institute of Engg. &
Technology (NIET)
NIMS University Jaipur, Rajasthan

Abstract: This paper is aimed to investigate micro strip patch antenna loaded with meta material, which are simulated for S-Band (1.70GHz-3.60GHz). Meta material offers advantages such as greater bandwidth, reduction in return loss, impedance matching, high gain and high directivity. FR-4 lossy material (dielectric constant $\epsilon_r = 4.3$, height of substrate = 1.6mm and loss tangent = 0.02) is used for designing of patch antenna. Meta material is loaded on FR-4 substrate at height of 3.314mm from ground plane. All simulations are carried by CST MW Studio software. single band rectangular micro strip patch antenna at frequency 2.33 GHz has been simulated. Further meta material is loaded on a ground plane of rectangular micro strip patch antenna at height 3.2mm the return loss of antenna significantly decreasing form -30.5 dB to -40.92 dB.

1. INTRODUCTION

A microstrip patch antenna consists of a radiating patch on one side and ground plane on the other side with a dielectric substrate between them. A conventional microstrip antenna is shown in Fig. 1.4 Due to their advantages like low profile, light weight, low cost antennas etc they are getting much importance in various fields. In broadband areas the microstrip antennas are not still used since they have narrow-bandwidth, low gain, high loss etc. The patch is generally made of conducting material such as copper or gold and can take any possible shape. The radiating patch and the feed lines are usually photo etched on the dielectric substrate.

Micro strip or patch antennas are becoming increasingly useful because they can be printed directly onto a circuit board. Microstrip antennas are becoming very widespread within the mobile phone market.

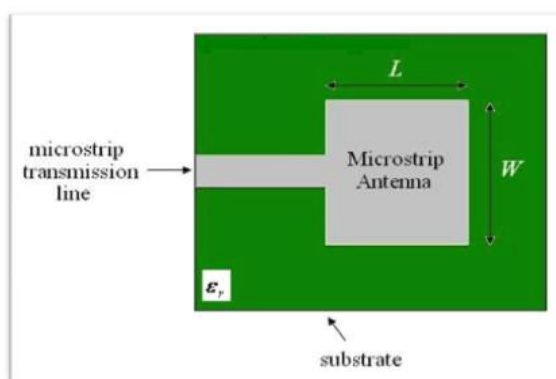


Fig1.1 Conventional microstrip patch antenna

The patch is of length L , Width W and substrate of thickness h with permittivity ϵ_r . The thickness of the ground plane or of the microstrip is not critically important. Typically the height h is much smaller than the wavelength of operation, but not much smaller than 0.05 of a wavelength. The frequency of operation of the patch antenna of Figure 1.1 is determined by the length L . The center frequency will be approximately given by:

$$f = \frac{C}{2L\sqrt{\epsilon_r}}$$

A patch antenna is a narrowband, wide-beam antenna fabricated by etching the antenna element pattern in metal trace bonded to an insulating dielectric substrate, such as a printed circuit board, with a continuous metal layer bonded to the opposite side of the substrate which forms a ground plane. Common microstrip antenna shapes are square, rectangular, circular and elliptical, but any continuous shape is possible. Some patch antennas do not use a dielectric substrate and instead made of a metal patch mounted above a ground plane using dielectric spacers; the resulting structure is less rugged but has a wider bandwidth.

Because such antennas have a very low profile, are mechanically rugged and can be shaped to conform to the curving skin of a vehicle, they are often mounted on the exterior of aircraft and spacecraft, or are incorporated into mobile radio communications.

2. DESIGN AND ANALYSIS OF MICRO STRIP PATCH ANTENNA

2.1. Design Specifications

The three essential parameters for the design of a Microstrip Patch Antenna are:

- **Frequency of operation (f_0):** The resonant frequency selected for proposed design is 2.4 GHz.
- **Dielectric constant of the substrate (ϵ_r):** The dielectric material selected for my design is FR-4 lossy which has a dielectric constant of 4.4.
- **Height of dielectric substrate (h):** The height of the dielectric substrate is selected as 1.6 mm.

The RMPA parameters are calculated from the formulas given below:

$$W = \frac{1}{2f_r\sqrt{\mu_0\epsilon_0}} \sqrt{\frac{2}{\epsilon_r + 1}}$$

2.2. Width (w)

The Width of the patch Antenna totally depends on the dielectric constant and thickness of the substrate and on the resonant frequency which is specified by the users. Here is the equation to calculate width of Microstrip Antenna:

2.3. Length (L)

The length of microstrip filter depends on the effective permittivity of the substrate, the width and the desired resonant frequency.

$$L = \frac{1}{2f_r\sqrt{\epsilon_{eff}\mu_0\epsilon_0}} - 2\Delta L = \frac{V_0}{2f_r\sqrt{\epsilon_{eff}}} - 2\Delta L$$

2.4. The effective dielectric constant

$$\epsilon_{eff} = \frac{\epsilon_r + 1}{2} + \frac{\epsilon_r - 1}{2} \cdot \frac{1}{\sqrt{1 + \frac{12h}{W}}}$$

2.5. Calculation of Length Extension

$$\frac{\Delta L}{h} = 0.412 \frac{(\epsilon_{eff} + 0.3) \left(\frac{W}{h} + 0.264\right)}{(\epsilon_{eff} - 0.258) \left(\frac{W}{h} + 0.8\right)}$$

Parameter of Rectangular Microstrip Patch Antenna:

Length of the patch antenna = 48 mm

Width of the patch antenna = 57 mm

Resonant frequency = 2.37 GHz

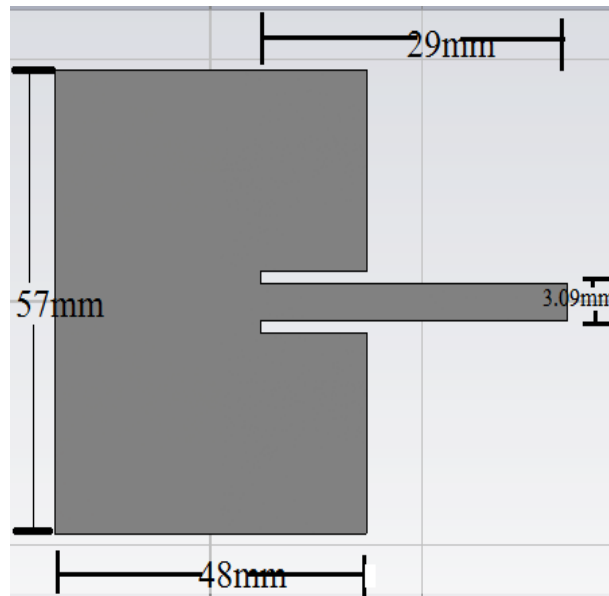


Fig1.2. Simulated Rectangular Microstrip Patch Antenna

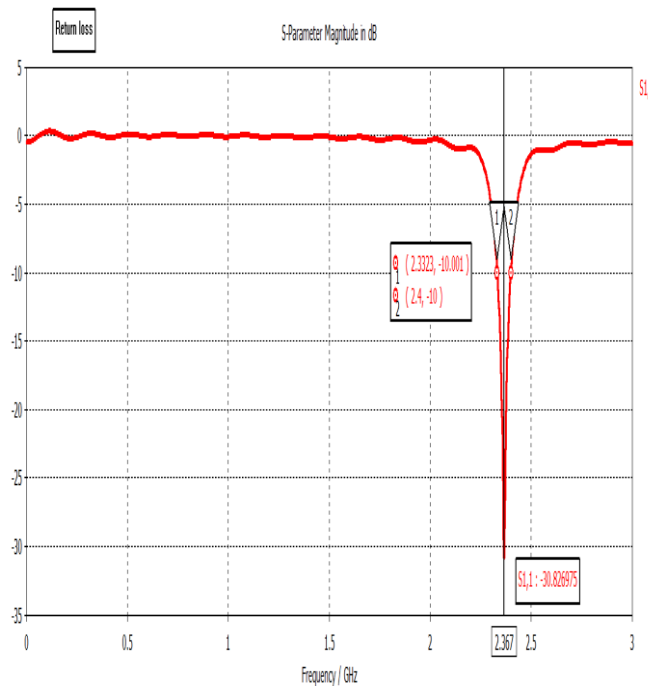


Fig1.3. Simulated return loss of proposed Antenna.

Figure 1.3 shows the simulated 3D radiation pattern. The radiation pattern became directional and works on frequency (2.4GHz).

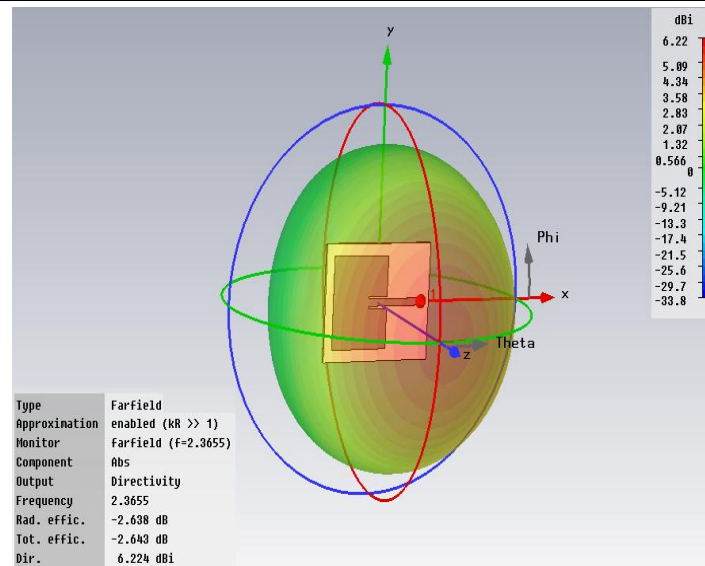


Fig1.4. Simulated radiation pattern of proposed Antenna.

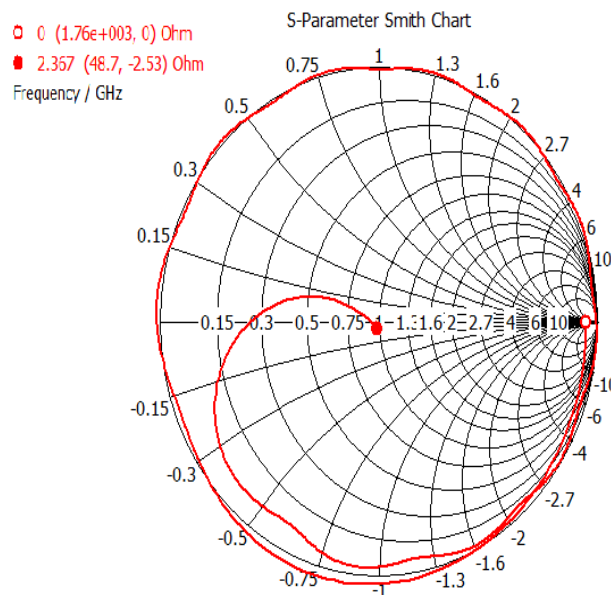


Fig1.5. Smith Chart of RMPA

3. MICRO STRIP PATCH ANTENNA LOADED WITH SMM

In this paper characteristics of microstrip patch antennas on metamaterial substrates loaded with spiral shape structure known as spiral metamaterial (SMM). The proposed antenna utilizes SMM in the ground plane altering the effective medium parameters of the substrate. To characterize the performance of the SMM loaded microstrip antenna, the metamaterial substrate has been modeled as an effective medium with extracted constitutive parameters. The Simulation results confirm that the SMM loaded patch antenna achieves size reduction and maintaining the same bandwidth as well. Metamaterials [13] are finding numerous applications for novel antennas. One such application is the use of artificial materials for compact antennas. Miniaturization of microstrip antennas has been attempted for a long time using various different methods. Most popular and traditional way would be to use a high permittivity substrate decreasing the guided wavelength in the substrate, so that the overall antenna size is reduced [4]. However, this approach has a drawback resulting in the tendency for more of the energy delivered to the antenna to be trapped in substrates with high permittivity, which eventually decreases the antenna impedance bandwidth. To overcome the drawbacks of the patch antenna on a high permittivity substrate, several remedies have been proposed using artificial structures in conjunction with the patch element [6]. In this chapter, we propose a new design approach to the realization of compact antennas with improved

impedance bandwidth using an artificial substrate based on Spiral shape and present the simulated and characteristics of the designed antenna. We investigate a microstrip patch antenna on a metamaterial substrate with Spiral shape employed in the ground plane, and examine the resonant frequency, impedance bandwidth, and radiation characteristics using the effective medium approach.

3.1. The Rectangular Microstrip Patch Antenna with Meta Material

The RMPA with meta material has been designed with over all dimensions W (30mm) x L (30mm). The designing of microstrip patch antenna, the resonant frequency $f_r = 2.4$ GHz and the dielectric substrate FR4 Lossy is used for simulation.

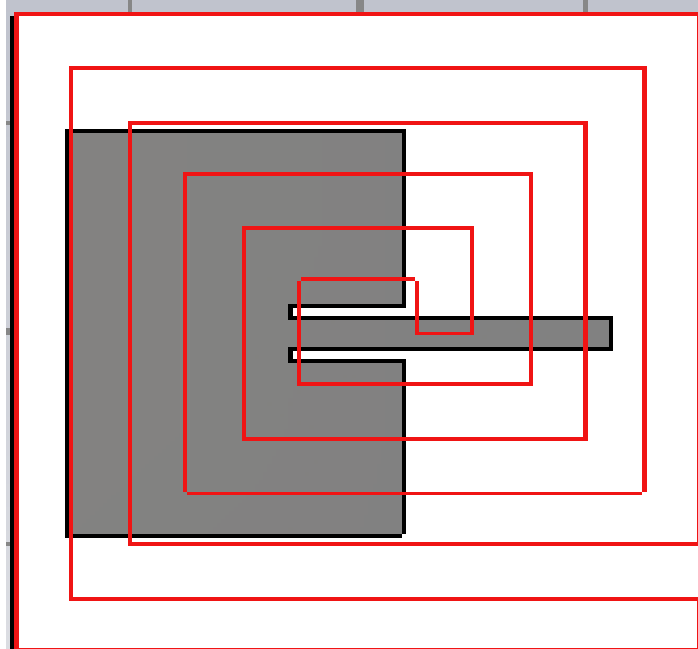


Fig1.6. Simulated The Rectangular microstrip patch antenna loaded with spiral metamaterial

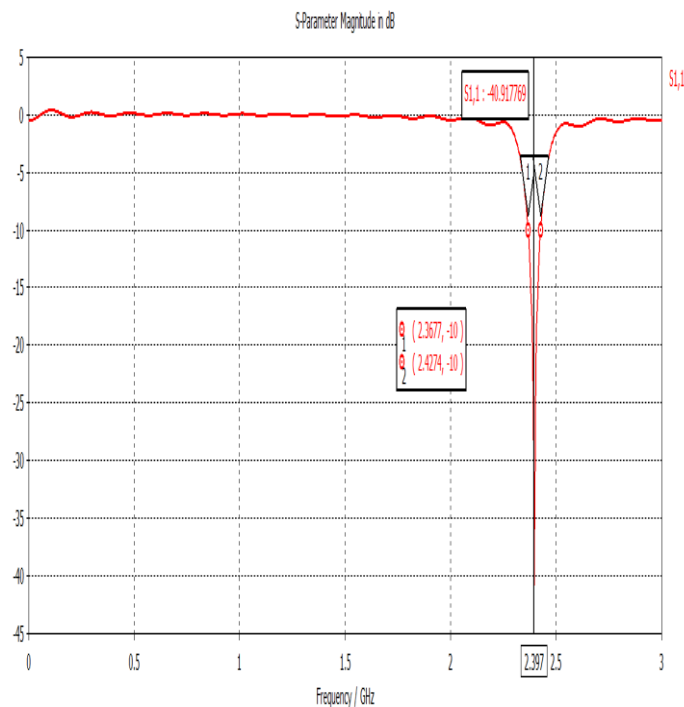


Fig1.7. Simulated return loss of proposed Antenna

Figure 1.8 shows the simulated 3D radiation pattern. The radiation pattern became directional and works on frequency (2.4GHz).

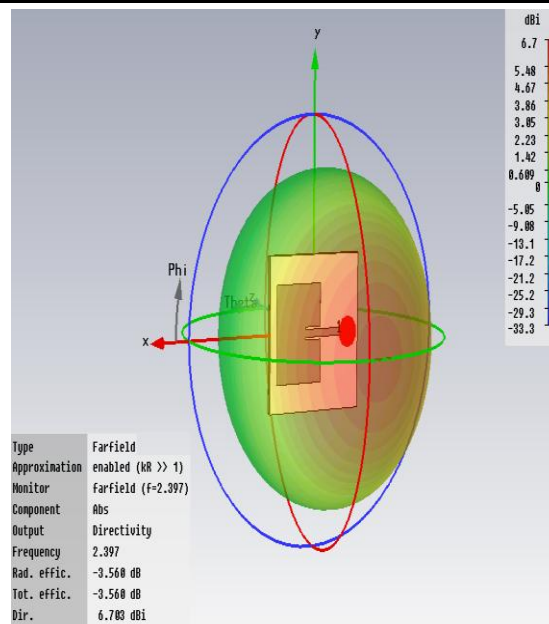


Fig1.8. Simulated radiation pattern of proposed Antenna

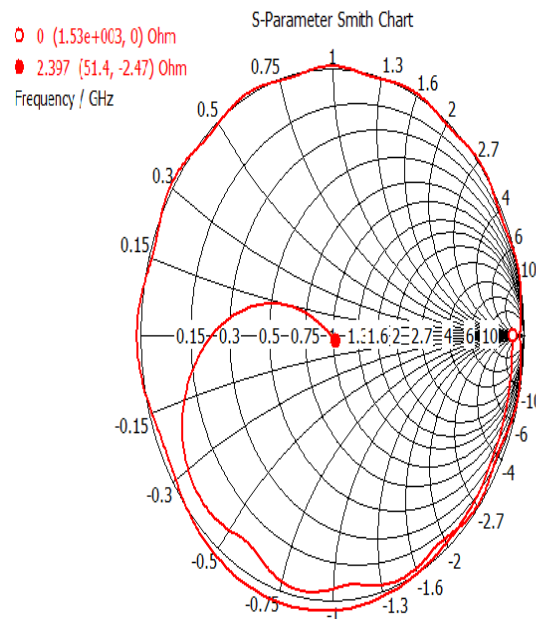


Fig1.9. Smith Chart of RMPA with proposed meta material structure.

4. CONCLUSION

A compact microstrip antenna with an improved bandwidth using a spiral meta material substrate has been presented. For the characterization of the microstrip antennas on meta material substrates, the effective medium approach was employed. The new design help achieve the reduction of the antenna size and the improvement of the directivity for microstrip patch antennas.

On the basis of the simulated results it is observed that both antennas parameters has improved significantly by employing proposed meta material structure at 3.2 mm layer from the ground plane of the antenna. By using the meta material the return loss of conventional microstrip patch antenna is increased from -30.5dB to -40.92Db.

5. FUTURE SCOPE

For enhancing the bandwidth and reducing the return loss of RMPA, metamaterial can be designed by using different substrate and structure. Antenna performance can also be analyzed by using different structure of patches and feeding techniques.

REFERENCES

- [1] S. A. Schelkunoff, H.T.Friss, *Antennas: Theory and Practice*, New York: John Willy & Sons, 1952.
- [2] G. A. Deschamps, “Microstrip Microwave Antennas”, presented at Third USAF symposium on Antennas, 1953.
- [3] J. Brown, “Artificial dielectrics,” *Progress in Dielectrics*, vol. 2, pp. 195–225, 1960.
- [4] Stutzman, W.L. and Thiele, G.A., *Antenna Theory and Design*, John Wiley & Sons 1998.
- [5] Y.T. Lo, *Theory and experiment on microstrip antennas*, *IEEE Trans.Antennas Propag* 27, pp.137–145. 1979
- [6] J.S. Colburn and Y. Rahmat-Samii, patch antennas on externally perforated high dielectric permittivity material, *electron Lett.* 31,pp.1710–1712. 1995
- [7] C. A. Balanis, “*Antenna Theory, Analysis and Design*,” John Wiley & Sons, New York, 1997.
- [8] J. B. Pendry, A. J. Holden, D. J. Robbins, and W. J. Stewart, “Magnetism from conductors and enhanced nonlinear phenomena,” *IEEE Trans. Microw. Theory Tech.* 47, pp. 2075-2081, 1999.
- [9] R Garg, P Bhartia, I Bahl, and A. Lltipiboon, *Microstrip antenna design handbook*, Artech House, 2000.
- [10] J. B. Pendry, “Negative Refraction Makes a Perfect Lens,” *Phys. Rev. Lett.* 85,pp.3966-3969, 2000.
- [11] A. Shelby, D. R. Smith, S. Schultz, “Experimental verification of a negative index of refraction,” *Science*, 292, pp. 77–79, 2001.
- [12] R. Marques, F. Mesa, J. Martel, and F. Median, Comparative analysis of edge and broadside coupled split ring resonators for metamaterial design-Theory and experiment, *IEEE Trans. Antennas Propag.*51,pp 2572–2581.2003,
- [13] D.R. Smith, J.B. Pendry, and M.C.K.Wiltshire, *Metamaterials and negative refractive index*, *Science*, 305, pp.788–792. 2004,
- [14] F. Falcone, T. Lopetegui, M. A. G. Laso, J. D. Baena, J. Bonache, M. Beruete, R. Marques, F. Martin, M. Sorolla, “Babinet Principle Applied to the Design of Metasurfaces and Metamaterials,” *Phys. Rev. Lett.* 93, 197401, 2004.
- [15] F. Falcone, T. Lopetegui, J.D. Baena, R. Marques, F. Martin, and M. Orolla, Effective Negative ϵ stopband microstrip lines based on complimentary split ring resonators, *IEEE Microwave Wireless Compon. Lett.* 14,pp.280–282. 2004
- [16] A. Sanada, M. Kimura, I. Awai, C. Caloz, and T. Itoh, A Planar Zeroth-Order Resonator Antenna Using A Left-handed TransmissionLine, 34th European Microwave Conference, Amsterdam, 2004.